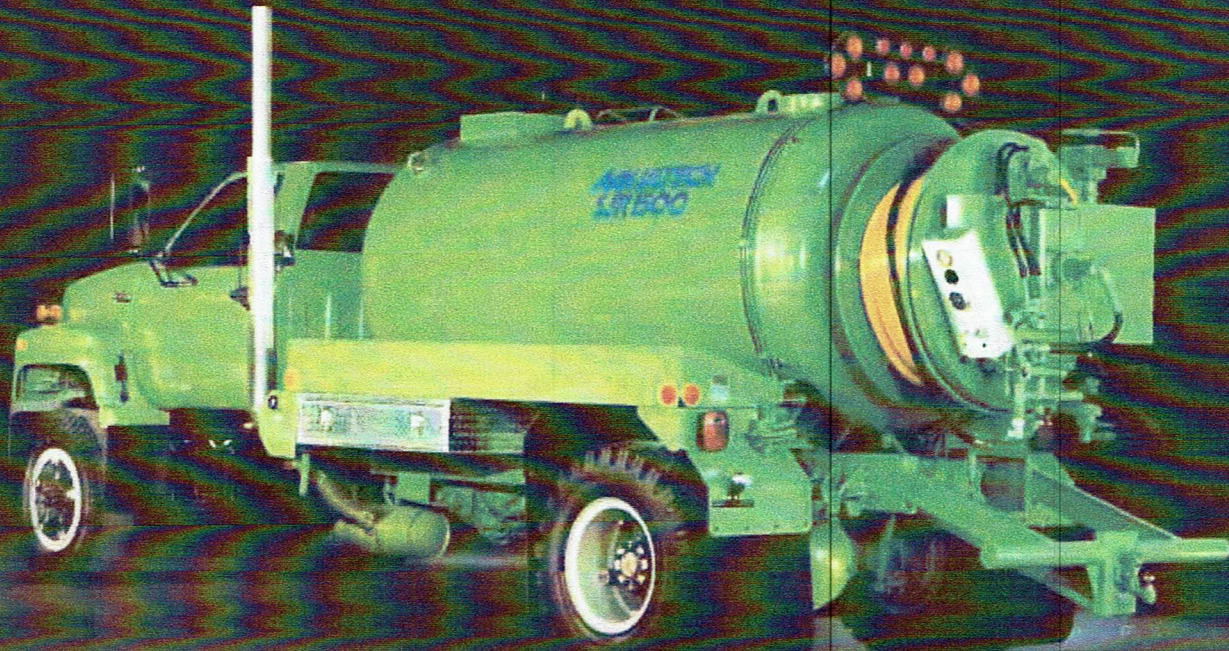


# AQUATECH

## SJR1500 TRUCK MOUNTED SEWER JET®

Lot 28



The SJR1500 Sewer Jet is economically designed for removing sand, stone, bottles, cans, grease, sludge and other debris from sanitary and storm sewer lines.

### HIGH-PERFORMANCE, STATE-OF-THE-ART FEATURES INCREASE PRODUCTIVITY.

- **SINGLE ENGINE DRIVE**

Dramatically decreases fuel consumption, maintenance expenses, sound levels, weight on chassis and initial purchase price. Chassis engine powers all systems.

- **DRIVE OPTIONS**

Split shaft PTO or Hydrostatic drive.

- **REAR MOUNTED HOSE REEL**

The 180° articulating rear reel facilitates placement of unit regardless of manhole location. The rear location assures unobstructed vision for the driver, allows maximum air flow to the chassis engine and provides the quietest workstation in the industry.

- **CYLINDRICAL TANK**

Constructed of 1/4" thick steel. Capacity of 1500 to 5000 gallons. Full diameter, true baffled design, guarantees against water surging. 10 year unconditional warranty against leaks.

SOME FEATURES SHOWN MAY BE OPTIONAL.

- **TRIPLEX RECIPROCATING WATER PUMP**

65 GPM, continuous flow triplex pump is rated at 0-2000 PSI. Pump operates from chassis engine via power take-off. Will clean sewer lines of almost any diameter.

- **OPTIONAL PNEUMATIC FOOT CONTROL**

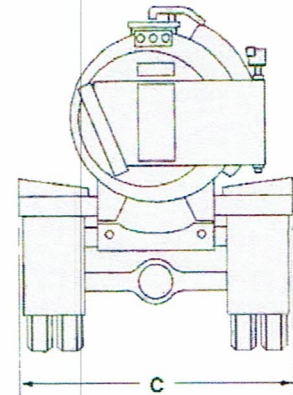
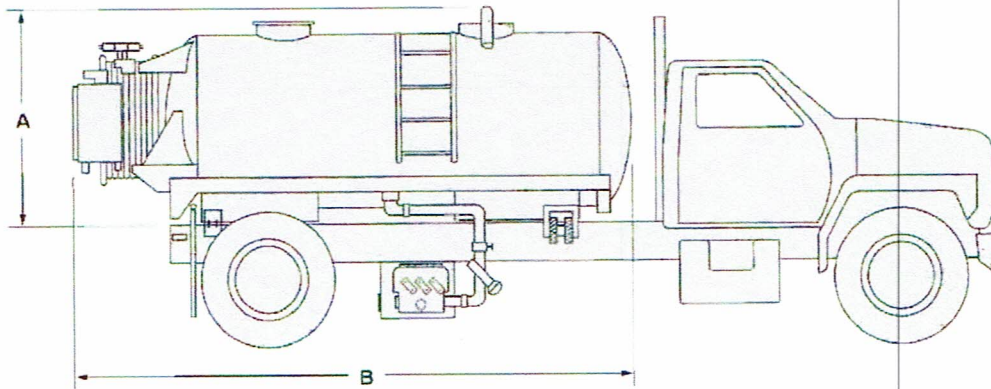
Permits one-man operation of hose reel payout/retrieve, and allows operator to work any distance from unit.

- **DELIVERY**

These units can be shipped with or without chassis mounting.

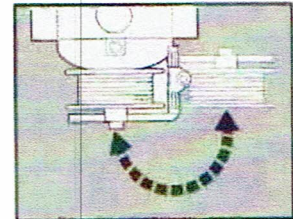
**DISTRIBUTED BY:**





Dimensions	SJR 1500		SJR 2000		SJR 2500		SJR 3000	
	U.S.	Metric	U.S.	Metric	U.S.	Metric	U.S.	Metric
A. Height above chassis	79"	2007 mm	89"	2248 mm	89"	2248 mm	89"	2248 mm
B. Unit Length	182"	4623 mm	191.5"	4864 mm	221.5"	5626 mm	251.5"	6388 mm
C. Overall Width	98"	2489 mm	98"	2489 mm	98"	2489 mm	98"	2489 mm
■ Water tank capacity	1500 gal.	5678 lit.	2000 gal.	7570 lit.	2500 gal.	9465 lit.	3000 gal.	11,355 lit.

Other tank sizes available as an option – Consult factory for specifications and chassis requirements. Dimensions may vary with chassis selection. For cab over chassis please contact Engineering Department. Cab over chassis may create large space behind cab.



180° ARTICULATION  
(TOP VIEW)

## GENERAL DESCRIPTION

### WATER TANK

Cylindrical baffled design  
Continuous weld 1/4" (6.35 mm) A36 steel  
Anti-siphon air gap protection  
Curb side fill 2-1/2" (63.5 mm) Nat. Std.  
Fire Thread female swivel  
20" (508 mm) inspection hatch  
Two water level sight tubes  
Tank drain provided at low point of tank  
Access ladder to top of tank

### POWER TAKE-OFF DRIVE

8 bolt PTO standard for manual transmissions with 8 bolt opening  
Optional Split Shaft PTO required on any unit incorporating one or more of the following:  
Automatic transmission  
Manual transmission without 8 bolt opening  
Cold weather recirculation

Note: For chassis with drive train larger than 1500 series, a high torque PTO is required

### WATER SYSTEM

Triplex reciprocating  
0-65 GPM (246 liters)  
0-2000 PSI (138 bar)  
Water pressure gauge  
Pressure relief valve  
Water flow control valve  
Suction line strainer

Air valve on pump for cold weather operation  
Wash down gun connection with 800 PSI relief valve

### CONTROLS AND GAUGES

PTO engagement controls in cab  
Water pressure gauge  
Tachometer  
Engine throttle  
Reel speed  
Water flow valve on/off

### HOSE REEL ASSEMBLY

Rear mounted  
180° articulation  
400' (122 m) of 1" (25.4 mm),  
2500 PSI (172 bar) hose  
Hose level wind  
650' (198 m) of 1" (25.4 mm)  
hose capacity

### STANDARD ACCESSORIES

Washdown gun with 25' (7.6 m) of  
1/2" (12.7 mm) hose  
15° nozzle  
35° nozzle  
Manhole hose guide  
Touch-up paint  
Two operation, parts and service manuals  
Tool box  
Full length tool trays  
Fenders  
Mud flaps  
Painted any one standard color

### OPTIONS

Front mounted hose reel  
Front mounted extending, 320° rotating  
hose reel  
Stainless steel water tank  
35-120 GPM (132-605 liters) water pumps  
Hose 3/4" (19 mm), 1-1/4" (31.8 mm)  
Cold weather recirculation (requires split  
shaft PTO)  
1/2" (12.7 mm) hose reel  
Rubber leader hose  
Street flushers  
Containment system

Refer to your Aquatech Accessory Manual for complete selection.

Specifications are subject to change without notice.

Some photographs may show equipment that is optional.

All ratings are calculated at sea level.

Patents applied for.



A Product of Hi-Vac Corporation  
117 Industry Road, Marietta, Ohio 45750 USA

Corporate: Tel: 74.0374.2306 • Toll Free: 800.752.2400  
Fax: 740.374.5447 • Web: www.hi-vac.com  
E-mail: sales@hi-vac.com

Aquatech: Tel: 740.374.9171 • Toll Free: 800.800.1016  
Fax: 740.374.5447 • Web: www.hi-vac.com  
E-mail: sales@hi-vac.com